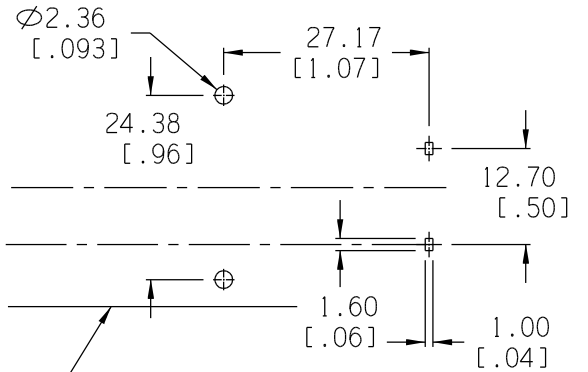
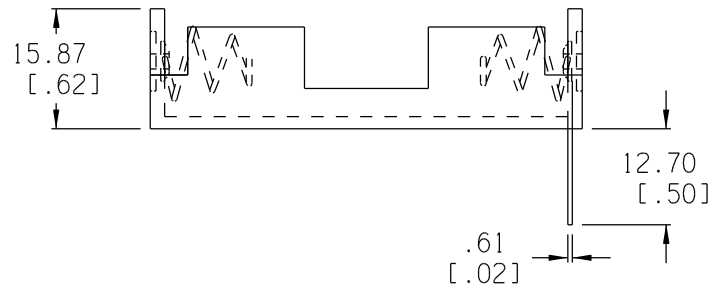
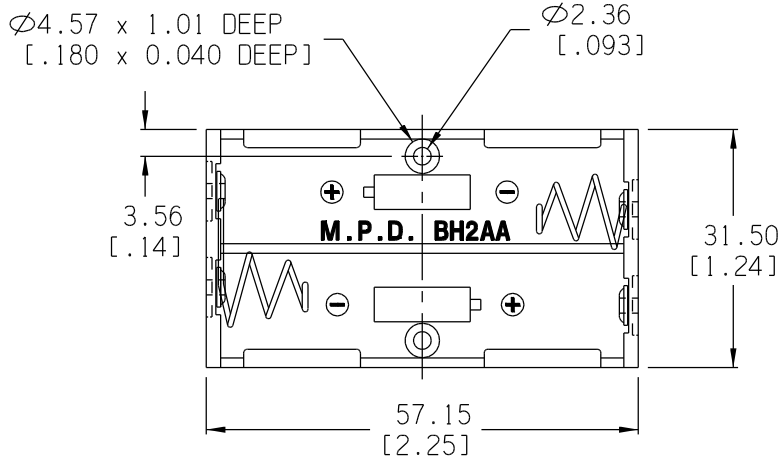


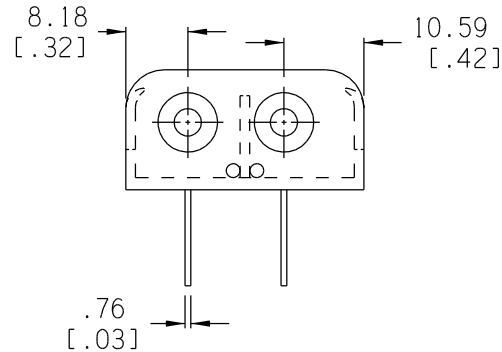
MOUNTING INSTRUCTION:

USE 2-56 MACHINE SCREWS OR  
EYELETS 0.089" OD BY 0.15" FLANGE  
STIMPSON GS-3 SERIES OR EQUIVALENT  
ALSO ADHESIVES AND DOUBLE SIDED  
TAPES WORK WELL.

Date	SYM	REVISION RECORD	AUTH	DR.	CK.
12/26/03	A	Changed Material Specification	T.B.	B.S.	
1/14/06	B	Added "ROHS COMPLIANT"	T.B.	B.S.	
10/28/06	C	Added $\phi 2.36$ hole size to PCB layout	T.B.	B.S.	



OUTER SURFACE PCB LAYOUT




INTER CONNECTION SCHEMATIC

NOTES:

MATERIAL:

HOUSING: IMPACT RESISTANCE NYLON #6, BLACK, UL 94V-0,  
MATERIAL FILE #UL E48285  
SPRING: SPRING STEEL, NICKLE PLATED  
CONTACTS: SPRING STEEL, NICKLE PLATED  
EYELETS: BRASS, NICKLE PLTD.  
ROHS COMPLIANT

Tolerance (Inches)	 Memory Protection Devices, Inc. 200 Broad Hollow Road, Farmingdale, New York 11735		
Decimal		Scale	Drawn By B.S.
$\pm .5$ (.020)			Approved By T.B.
Fractional	Title		
$\pm .8$ (.030)	2AA BATTERY HOLDER WITH PC PINS		
Angular	Date	Drawing Number	
$\pm 3^\circ$	10/28/06	BH2AA-PC	